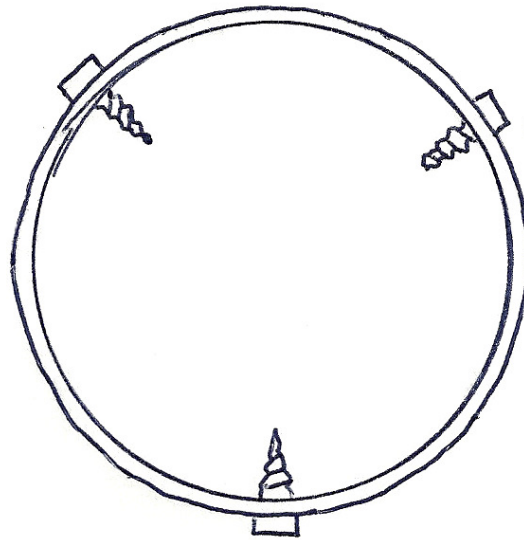


Installation of dash carpet, all V8 models

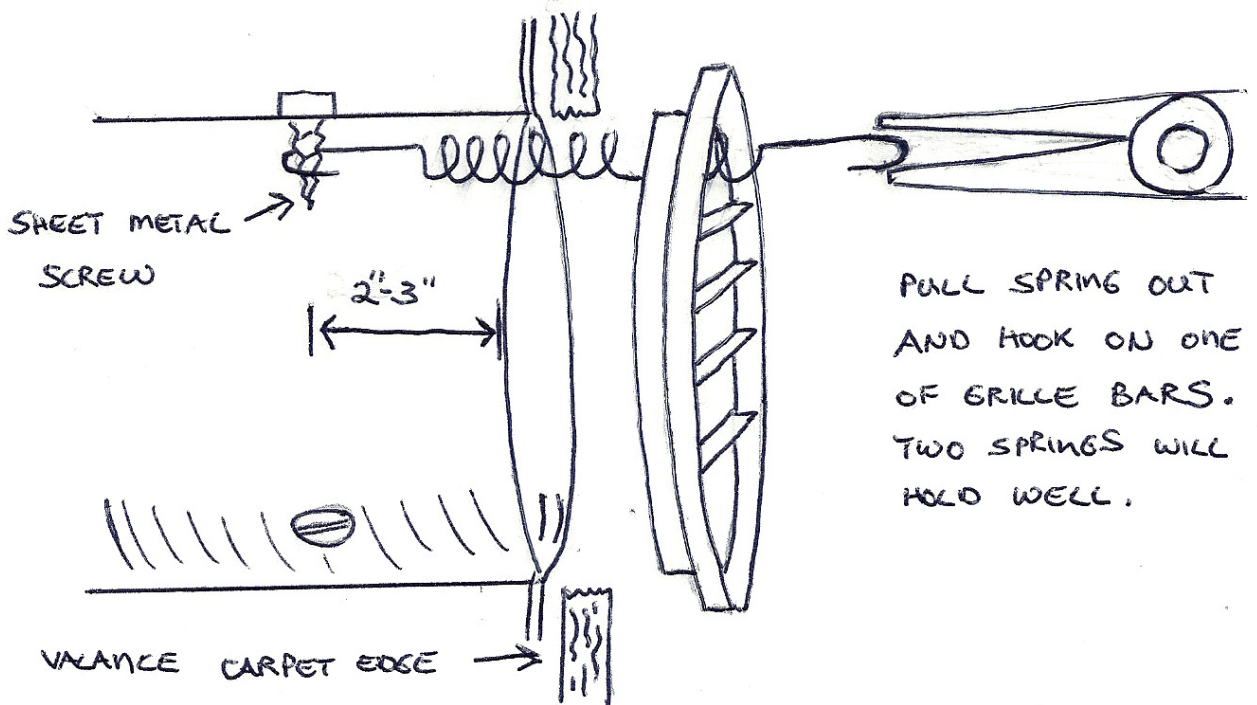
FIGURE #1

LOOKING DIRECTLY
INTO RIGHT FRESH AIR
DUCT WITH GRILLE
REMOVED.



SHEET METAL
SCREWS

FIGURE #2



SHEET METAL
SCREW

2-3"

VALANCE CARPET EDGE

PULL SPRING OUT
AND HOOK ON ONE
OF GRILLE BARS.
TWO SPRINGS WILL
HOLD WELL.

NOTE - DRAWN FOR CLARITY. THE GRILLE WILL ACTUALLY
BE FLUSH ON THE VALANCE (HAND HELD) WHEN YOU
HOOK THE SPRINGS.